

Sample Cooler AMI LineTOC

Data sheet no. DenA82300010

Optional sample cooler for use with AMI LineTOC and AMI LineTOC Compact Version.

Description

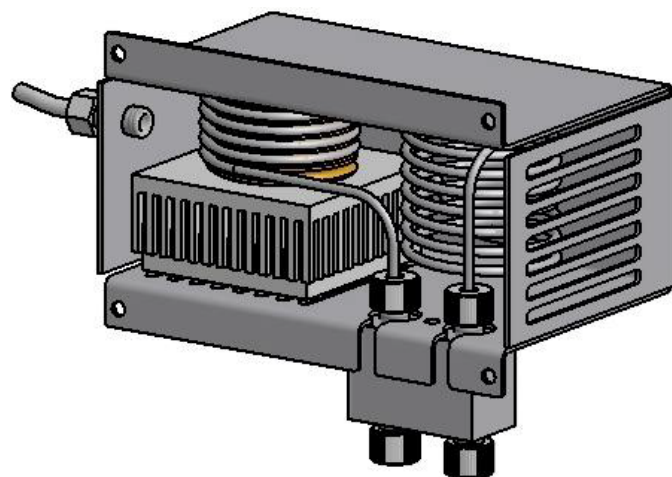
- Cools hot samples to the maximum temperature of 40 °C required at the inlet of the UV reactor by means of forced convection (fan).
- Easy mounting on the panel of AMI LineTOC or AMI LineTOC Compact Version.
- Power supply by AMI transmitter via the integrated cable.

Requirements

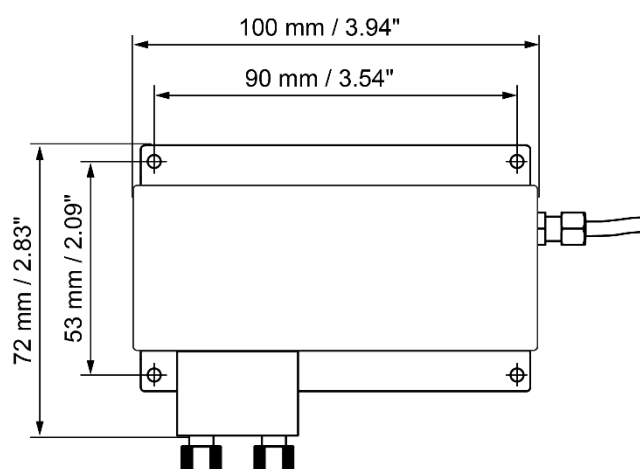
- Ambient temperature: 35 °C maximum.
- Sample inlet temperature: 90 °C maximum.

Scope of Delivery

- Sample cooler with fixed cable.
- FEP tube (400 mm length).
- Four screws.



Inside view



Front view

Order number:	Sample Cooler AMI LineTOC	A-82.300.010
---------------	---------------------------	--------------

